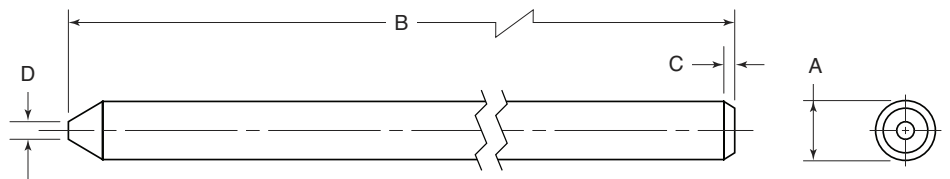
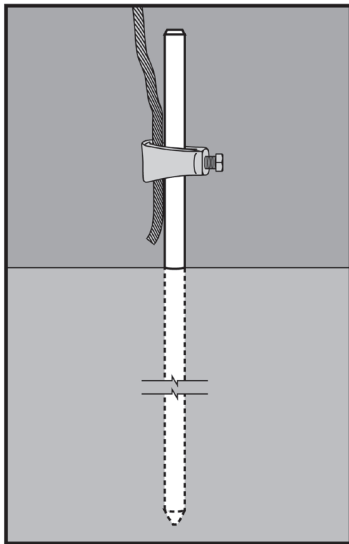


# STAINLESS STEEL GROUNDING RODS



## APPLICATION

- Provide a means of conducting current from a ground wire into the ground
- Offered in Type 316 SS and Type 304 SS
- Offered in 8 and 10 foot lengths
- Manufactured in stainless steel to help prevent corrosion
- Can be installed using ordinary hand tools and require little maintenance or repair
- Provided in a bright, polished finish that does not require touch up or painting



## PRODUCT DETAILS

### Material:

316 SS and 304 SS

### Standards:

ASTM A276, ASTM A479

### Country of Origin:

Manufactured in USA

### UL File Number (Type 304 SS):

KDER.E340519

### Canada UL File Number

(Type 304 SS): KDER7.340519

Part Number	Rod Size "A"	Length (ft.) "B"	Weight/ Each (lbs.)	"C"	"D"
GR588	5/8 in.	8	9	.13	.25
GR5810	5/8 in.	10	11	.13	.25
GR348	3/4 in.	8	12	.13	.25
GR3410	3/4 in.	10	15	.13	.25
GR18	1 in.	8	22	.13	.25
GR110	1 in.	10	27	.13	.25

Type 304 SS products are denoted by adding "-304SS."

For example: GR588 - 304SS.



© 2015 GIBSON STAINLESS & SPECIALTY, INC. - REV 12/2015

PO BOX 847, GREENSBURG, PA 15601  
PHONE: 1-800-945-4316 • FAX: 724-838-1544

WEB: GIBSONSTAINLESS.COM